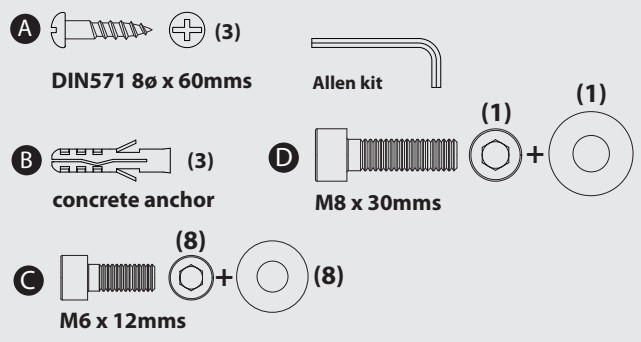


Assembly instructions

- 1 Drill the wall using the template provided.
- 2 Fix the arm supports with the screw (A).
- 3 Slide the cover (v) to the end profile and press to fix it.
- 4 Assembly the projector arms to the axis with the screw (D).
- 5 Fix the projector with the screws (C).
- 6 Position the projector at the selected distance using the security lock (L).
- 7 Fix the projector supports with the screw.

Hardware Kit



WARNINGS

- Safety warning:** Be careful to make sure there are not missing or defective parts. Improper installation may cause damage or serious injury.
- NOTE 1:** The included hardware is for mounting on wall. If you are uncertain about the nature of your wall, consult an expert. Please consult your hardware or installation professional for proper mounting to other types or walls. The supplied hardware is not for steel.
- NOTE 2:** Not all of the hardware in the kit will be used. Do not force any bolts.
- NOTE 3:** Do not mount onto plasterboard or panelled walls.
- NOTE 4:** Do not mount the bracket alone, seek help from another person.

